

BRUSHLESS LOW SPEED

LOW SPEED GEARLESS DIRECT DRIVE TIMBER MOTOR

This AC-PM / BLDC Motor is appropriate for traction and other applications which require high torque, low RPMs and Silent Operation.



FEATURES

OPTIMAL PERFORMANCE

When paired with an ASI Controller the Accelerated Motor provides a powerful and customizable drive.

BUILT IN TEMPERATURE SENSOR

Continually monitors the Motor to protect from overheating and damage.

MINIMAL MAINTENANCE

No Brushes or commutator requiring maintenance or replacement.

POWER & TORQUE

With 8KW, 220Nm - 360Nm of Torque and weighing only 42lbs, our Motor has the highest Power and Torque density in the industry.

MACHINE WOUND STATOR

Ensures that the Motor is built to the same high standards every time!

EFFICIENCY

The Timber AC-PM Brushless Permanent Magnet Motor provides the highest efficiency through the full operating range of the motor.



Engineered in Canada



ASI ACCELERATED™
SYSTEMS INC.

519.342.2507 |

www.accelerated-systems.com

04.2020 © Accelerated Systems Inc. V.1.4

Specifications subject to change without notice.

BRUSHLESS LOW SPEED

AC-PM DIRECT DRIVE TIMBER MOTOR

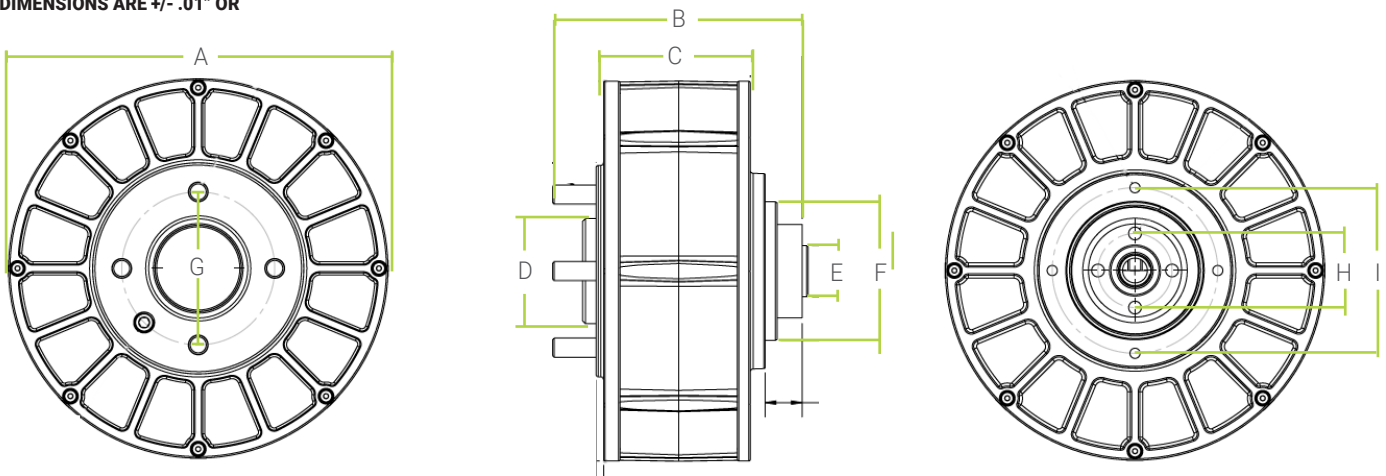
SPECIFICATIONS	
MOTOR TYPE	Brushless Reversing PM Direct Drive
VOLTAGE	48V - 72V
OUTPUT POWER	5 KW
TORQUE (PEAK)	350 Nm
MAX RPM (@ VOLTAGE)	500 RPM @48V
MAX. EFFICIENCY	88%
SPEED RANGE	0 - 25 mph /0 - 40 kph
BASE SPEED	200 or 350 rpm
APPLICATIONS	Traction
PHASE RESISTANCE	4 milli-ohm



MOTOR DIMENSIONS			
		MM	IN
MOTOR DIAMETER	A	252	9.9
MOTOR WIDTH (IN. STUDS)	B	132	5.2
MOTOR WIDTH (MAIN BODY)	C	98	3.9
WHEEL MOUNTING PILOT	D	69.9	2.75
MOTOR MOUNTING PILOT	E	34	1.3
DISC BRAKE PILOT	F	92	3.6
MOTOR WEIGHT		19 kg	42 lbs

HARDWARE SPECIFICATIONS						
		BOLT /HOLE SIZE	PATTERN		QTY	
			MM	IN		
MOTOR MOUNTING	H	M10 x 1.50 mm	49.2	1.94	4	
DISK BRAKE MOUNTING	I	M8 X 1.25 mm	110	4.33	4	
WHEEL STUD SIZE	G	1/2 - 20 x 1.15" UNF			4	
WHEEL BOLT PATTERN	G	4 x 4" (Fits: Standard Golf Cart Wheel)				4
CABLE LENGTH (W/CONNECTOR)			1219.2	48		

*DIMENSIONS ARE +/- .01" OR



* Also available High Speed Option



519.342.2507 |

www.accelerated-systems.com

04.2020 © Accelerated Systems Inc. V.1.4

Specifications subject to change without notice.